

## Dual, Low Noise, High Performance Uncompensated Operational Amplifier

July 1994

### Features

- This Circuit is Processed in Accordance to MIL-STD-883 and is Fully Conformant Under the Provisions of Paragraph 1.2.1.
- Low Input Noise Voltage Density at 1kHz...  $6\text{nV}/\sqrt{\text{Hz}}$ (Max)  
 $4.3\text{nV}/\sqrt{\text{Hz}}$ (Typ)
- High Slew Rate.....  $12\text{V}/\mu\text{s}$  (Min)  
 $20\text{V}/\mu\text{s}$  (Typ)
- Wide Gain Bandwidth Product ( $A_{VCL} \geq 10$ ) . . . . . 54MHz
- Low Offset Voltage Drift . . . . .  $3\mu\text{V}/^\circ\text{C}$  (Typ)
- High Open Loop Gain (Full Temp.) . . . . . 100kV/V (Min)  
250kV/V (Typ)
- High CMRR/PSRR (Full Temp.) . . . . . 86dB (Min)  
100dB (Typ)
- Low Offset Voltage Drift . . . . .  $3\mu\text{V}/^\circ\text{C}$  (Typ)
- No Crossover Distortion
- Standard Dual Pinout

### Applications

- High Quality Audio Preamplifiers
- High Q Active Filters
- Low Noise Function Generators
- Low Distortion Oscillators
- Low Noise Comparators

### Description

Low Noise and high performance are key words describing the dual, uncompensated HA-5112/883. This general purpose amplifier offers an array of dynamic specifications including  $12\text{V}/\mu\text{s}$  slew rate (min), and 54MHz gain-bandwidth-product for  $A_{VCL} \geq 10$ . Complementing these outstanding parameters is a very low noise specification of  $6\text{nV}/\sqrt{\text{Hz}}$  at 1kHz (max).

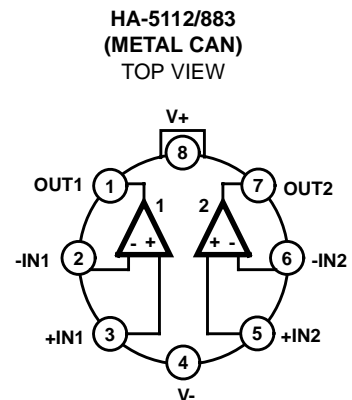
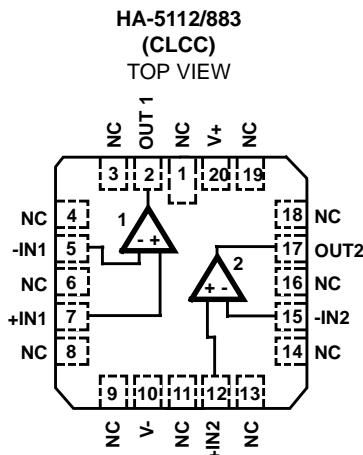
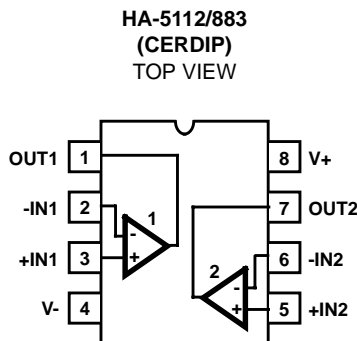
Fabricated using the Intersil standard high frequency D.I. process, these operational amplifiers also offer excellent input specifications such as 2.5mV (max) offset voltage and 75nA (max) offset current. Complementing these specifications are 100dB (min) open loop gain and 55dB channel separation (min). The HA-5112/883 also consumes a very modest amount of supply power (180mW/package).

This impressive combination of features make this amplifier ideally suited for designs ranging from audio amplifiers and active filters to the most demanding signal conditioning and instrumentation circuits.

### Ordering Information

| PART NUMBER  | TEMPERATURE RANGE | PACKAGE             |
|--------------|-------------------|---------------------|
| HA2-5112/883 | -55°C to +125°C   | 8 Pin Can           |
| HA4-5112/883 | -55°C to +125°C   | 20 Lead Ceramic LCC |
| HA7-5112/883 | -55°C to +125°C   | 8 Lead CerDIP       |

### Pinouts



# Specifications HA-5112/883

## Absolute Maximum Ratings

|  |   |
|--|---|
| Voltage between V+ and V- Terminals    | 40V   |
| Differential Input Voltage             | 7V  |
| Voltage at Either Input Terminal       | V+ to V-  |
| Peak Output Current                    | Indefinite<br>(One Amplifier Shorted to Ground) |
| Junction Temperature (T <sub>J</sub> ) | +175°C  |
| Storage Temperature Range              | -65°C to +150°C                                 |
| ESD Rating                             | <2000V  |
| Lead Temperature (Soldering 10s)       | +300°C  |

## Thermal Information

|   |               |               |
|---|---------------|---------------|
| Thermal Resistance                                    | $\theta_{JA}$ | $\theta_{JC}$ |
| CerDIP Package  | 115°C/W       | 28°C/W        |
| Ceramic LCC Package                                   | 65°C/W        | 15°C/W        |
| Metal Can Package                                     | 155°C/W       | 67°C/W        |
| Package Power Dissipation Limit at +75°C              |               |               |
| CerDIP Package  | 870mW         |               |
| Ceramic LCC Package                                   | 1.54W         |               |
| Metal Can Package                                     | 645mW         |               |
| Package Power Dissipation Derating Factor Above +75°C |               |               |
| CerDIP Package  | 8.7mW/°C      |               |
| Ceramic LCC Package                                   | 15.4mW/°C     |               |
| Metal Can Package                                     | 6.5mW/°C      |               |

*CAUTION: Stresses above those listed in "Absolute Maximum Ratings" may cause permanent damage to the device. This is a stress only rating and operation of the device at these or any other conditions above those indicated in the operational sections of this specification is not implied.*

## Operating Conditions

|                             |                 |                               |
|-----------------------------|-----------------|-------------------------------|
| Operating Temperature Range | -55°C to +125°C | $V_{INCM} \leq 1/2 (V+ - V-)$ |
| Operating Supply Voltage    | ±5V to ±15V     | $R_L \geq 2k\Omega$           |

**TABLE 1. DC ELECTRICAL PERFORMANCE CHARACTERISTICS**

Device Tested at:  $V_{SUPPLY} = \pm 15V$ ,  $R_{SOURCE} = 100\Omega$ ,  $R_{LOAD} = 500k\Omega$ ,  $V_{OUT} = 0V$ , Unless Otherwise Specified.

| PARAMETERS                  | SYMBOL            | CONDITIONS  | GROUP A SUBGROUPS | TEMPERATURE   | LIMITS |     | UNITS |
|-----------------------------|-------------------|---|-------------------|---------------|--------|-----|-------|
|                             |                   |   |                   |               | MIN    | MAX |       |
| Input Offset Voltage        | $V_{IO}$          | $V_{CM} = 0V$   | 1                 | +25°C         | -2.0   | 2.0 | mV    |
|                             |                   |   | 2, 3              | +125°C, -55°C | -2.5   | 2.5 | mV    |
| Input Bias Current          | +I <sub>B</sub>   | $V_{CM} = 0V$ , +R <sub>S</sub> = 10kΩ, -R <sub>S</sub> = 100Ω      | 1                 | +25°C         | -200   | 200 | nA    |
|                             |                   |   | 2, 3              | +125°C, -55°C | -325   | 325 | nA    |
|                             | -I <sub>B</sub>   | $V_{CM} = 0V$ , +R <sub>S</sub> = 100Ω, -R <sub>S</sub> = 10kΩ      | 1                 | +25°C         | -200   | 200 | nA    |
|                             |                   |   | 2, 3              | +125°C, -55°C | -325   | 325 | nA    |
| Input Offset Current        | I <sub>IO</sub>   | $V_{CM} = 0V$ , +R <sub>S</sub> = 10kΩ, -R <sub>S</sub> = 10kΩ      | 1                 | +25°C         | -75    | 75  | nA    |
|                             |                   |   | 2, 3              | +125°C, -55°C | -125   | 125 | nA    |
| Common Mode Range           | +CMR              | $V+ = +3V$ , $V- = -27V$  | 1                 | +25°C         | +12    | -   | V     |
|                             |                   |   | 2, 3              | +125°C, -55°C | +12    | -   | V     |
|                             | -CMR              | $V+ = +27V$ , $V- = -3V$  | 1                 | +25°C         | -      | -12 | V     |
|                             |                   |   | 2, 3              | +125°C, -55°C | -      | -12 | V     |
| Large Signal Voltage Gain   | +A <sub>VOL</sub> | $V_{OUT} = 0V$ and +10V, R <sub>L</sub> = 2kΩ                       | 4                 | +25°C         | 100    | -   | kV/V  |
|                             |                   |   | 5, 6              | +125°C, -55°C | 100    | -   | kV/V  |
|                             | -A <sub>VOL</sub> | $V_{OUT} = 0V$ and -10V, R <sub>L</sub> = 2kΩ                       | 4                 | +25°C         | 100    | -   | kV/V  |
|                             |                   |   | 5, 6              | +125°C, -55°C | 100    | -   | kV/V  |
| Common Mode Rejection Ratio | +CMRR             | $\Delta V_{CM} = +5V$ , $V+ = +10V$ , $V- = -20V$ , $V_{OUT} = -5V$ | 1                 | +25°C         | 86     | -   | dB    |
|                             |                   |   | 2, 3              | +125°C, -55°C | 86     | -   | dB    |
|                             | -CMRR             | $\Delta V_{CM} = -5V$ , $V+ = +20V$ , $V- = -10V$ , $V_{OUT} = +5V$ | 1                 | +25°C         | 86     | -   | dB    |
|                             |                   |   | 2, 3              | +125°C, -55°C | 86     | -   | dB    |

## Specifications HA-5112/883

**TABLE 1. DC ELECTRICAL PERFORMANCE CHARACTERISTICS (Continued)**

Device Tested at:  $V_{SUPPLY} = \pm 15V$ ,  $R_{SOURCE} = 100\Omega$ ,  $R_{LOAD} = 500k\Omega$ ,  $V_{OUT} = 0V$ , Unless Otherwise Specified.

| PARAMETERS                     | SYMBOL                | CONDITIONS   | GROUP A<br>SUBGROUPS | TEMPERATURE   | LIMITS |     | UNITS |
|--------------------------------|-----------------------|--|----------------------|---------------|--------|-----|-------|
|                                |                       |  |                      |               | MIN    | MAX |       |
| Output Voltage Swing           | +V <sub>OUT1</sub>    | R <sub>L</sub> = 2kΩ   | 1                    | +25°C         | 10     | -   | V     |
|                                |                       |  | 2, 3                 | +125°C, -55°C | 10     | -   | V     |
|                                | -V <sub>OUT1</sub>    | R <sub>L</sub> = 2kΩ   | 1                    | +25°C         | -      | -10 | V     |
|                                |                       |  | 2, 3                 | +125°C, -55°C | -      | -10 | V     |
|                                | +V <sub>OUT2</sub>    | R <sub>L</sub> = 10kΩ  | 1                    | +25°C         | 12     | -   | V     |
|                                |                       |  | 2, 3                 | +125°C, -55°C | 12     | -   | V     |
| -V <sub>OUT2</sub>             | R <sub>L</sub> = 10kΩ | 1  | +25°C                | -             | -12    | V   |       |
|                                |                       | 2, 3   | +125°C, -55°C        | -             | -12    | V   |       |
| Output Current                 | +I <sub>OUT</sub>     | V <sub>OUT</sub> = -5V   | 1                    | +25°C         | 10     | -   | mA    |
|                                |                       |  | 2, 3                 | +125°C, -55°C | 10     | -   | mA    |
|                                | -I <sub>OUT</sub>     | V <sub>OUT</sub> = +5V   | 1                    | +25°C         | -      | -10 | mA    |
|                                |                       |  | 2, 3                 | +125°C, -55°C | -      | -10 | mA    |
| Quiescent Power Supply Current | +I <sub>CC</sub>      | V <sub>OUT</sub> = 0V, I <sub>OUT</sub> = 0mA                            | 1                    | +25°C         | -      | 5   | mA    |
|                                |                       |  | 2, 3                 | +125°C, -55°C | -      | 6   | mA    |
|                                | -I <sub>CC</sub>      | V <sub>OUT</sub> = 0V, I <sub>OUT</sub> = 0mA                            | 1                    | +25°C         | -5     | -   | mA    |
|                                |                       |  | 2, 3                 | +125°C, -55°C | -6     | -   | mA    |
| Power Supply Rejection Ratio   | +PSRR                 | ΔV <sub>SUP</sub> = 10V,<br>V+ = +10V, V- = -15V<br>V+ = +20V, V- = -15V | 1                    | +25°C         | 86     | -   | dB    |
|                                |                       |  | 2, 3                 | +125°C, -55°C | 86     | -   | dB    |
|                                | -PSRR                 | ΔV <sub>SUP</sub> = 10V,<br>V+ = +15V, V- = -10V<br>V+ = +15V, V- = -20V | 1                    | +25°C         | 86     | -   | dB    |
|                                |                       |  | 2, 3                 | +125°C, -55°C | 86     | -   | dB    |

**TABLE 2. AC ELECTRICAL PERFORMANCE CHARACTERISTICS**

Table 2 Intentionally Left Blank. See AC Parameters in Table 3

**TABLE 3. ELECTRICAL PERFORMANCE CHARACTERISTICS**

Device Characterized at:  $V_{SUPPLY} = \pm 15V$ ,  $R_{LOAD} = 2k\Omega$ ,  $C_{LOAD} = 50pF$ ,  $A_{VCL} = 10V/V$ , Unless Otherwise Specified.

| PARAMETERS                    | SYMBOL          | CONDITIONS  | NOTES | TEMPERATURE | LIMITS |     | UNITS  |
|-------------------------------|-----------------|---|-------|-------------|--------|-----|--------|
|                               |                 |   |       |             | MIN    | MAX |        |
| Differential Input Resistance | R <sub>IN</sub> | V <sub>CM</sub> = 0V                              | 1     | +25°C       | 250    | -   | kΩ     |
| Input Noise Voltage           | E <sub>N</sub>  | R <sub>S</sub> = 20Ω,<br>f <sub>O</sub> = 1000Hz  | 1     | +25°C       | -      | 6   | nV/√Hz |
| Input Noise Current           | I <sub>N</sub>  | R <sub>S</sub> = 2MΩ,<br>f <sub>O</sub> = 1000Hz  | 1     | +25°C       | -      | 3   | pA/√Hz |
| Gain Bandwidth Product        | GBWP            | V <sub>O</sub> = 200mV,<br>f <sub>O</sub> = 50kHz | 1     | +25°C       | 40     | -   | MHz    |
|                               |                 | V <sub>O</sub> = 200mV,<br>f <sub>O</sub> = 1MHz  | 1     | +25°C       | 54     | -   | MHz    |

## Specifications HA-5112/883

**TABLE 3. ELECTRICAL PERFORMANCE CHARACTERISTICS (Continued)**

Device Characterized at:  $V_{SUPPLY} = \pm 15V$ ,  $R_{LOAD} = 2k\Omega$ ,  $C_{LOAD} = 50pF$ ,  $A_{VCL} = 10V/V$ , Unless Otherwise Specified.

| PARAMETERS                      | SYMBOL    | CONDITIONS  | NOTES | TEMPERATURE     | LIMITS |     | UNITS      |
|---------------------------------|-----------|---|-------|-----------------|--------|-----|------------|
|                                 |           |   |       |                 | MIN    | MAX |            |
| Slew Rate                       | +SR       | $V_{OUT} = -5V$ to $+5V$  | 1     | +25°C           | 12     | -   | V/ $\mu$ s |
|                                 | -SR       | $V_{OUT} = +5V$ to $-5V$  | 1     | +25°C           | 12     | -   | V/ $\mu$ s |
| Full Power Bandwidth            | FPBW      | $V_{PEAK} = 10V$  | 1, 2  | +25°C           | 191    | -   | kHz        |
| Minimum Closed Loop Stable Gain | CLSG      | $R_L = 2k\Omega$ , $C_L = 50pF$   | 1     | -55°C to +125°C | 10     | -   | V/V        |
| Rise and Fall Time              | $t_R$     | $V_{OUT} = 0V$ to $+200mV$  | 1, 4  | +25°C           | -      | 100 | ns         |
|                                 | $t_F$     | $V_{OUT} = 0V$ to $-200mV$  | 1, 4  | +25°C           | -      | 100 | ns         |
| Overshoot                       | +OS       | $V_{OUT} = 0V$ to $+200mV$  | 1     | +25°C           | -      | 40  | %          |
|                                 | -OS       | $V_{OUT} = 0V$ to $-200mV$  | 1     | +25°C           | -      | 40  | %          |
| Output Resistance               | $R_{OUT}$ | Open Loop   | 1     | +25°C           | -      | 232 | $\Omega$   |
| Quiescent Power Consumption     | PC        | $V_{OUT} = 0V$ , $I_{OUT} = 0mA$  | 1, 3  | -55°C to +125°C | -      | 180 | mW         |
| Channel Separation              | CS        | $R_S = 1k\Omega$ ,<br>$A_{VCL} = 100V/V$ ,<br>$V_{IN} = 100mV_{PEAK}$ at<br>10kHz, Referred to<br>Input | 1     | +25°C           | 55     | -   | dB         |

**NOTES:**

- Parameters listed in Table 3 are controlled via design or process parameters and are not directly tested at final production. These parameters are lab characterized upon initial design release, or upon design changes. These parameters are guaranteed by characterization based upon data from multiple production runs which reflect lot to lot and within lot variation.
- Full Power Bandwidth guarantee based on Slew Rate measurement using  $FPBW = \text{Slew Rate}/(2\pi V_{PEAK})$ .
- Quiescent Power Consumption based upon Quiescent Supply Current test maximum. (No load on outputs.).
- Measured between 10% and 90% points.

**TABLE 4. ELECTRICAL TEST REQUIREMENTS**

| MIL-STD-883 TEST REQUIREMENTS               | SUBGROUPS (SEE TABLE 1)   |
|---|---------------------------|
| Interim Electrical Parameters (Pre Burn-In) | 1                         |
| Final Electrical Test Parameters            | 1 (Note 1), 2, 3, 4, 5, 6 |
| Group A Test Requirements                   | 1, 2, 3, 4, 5, 6          |
| Groups C and D Endpoints                    | 1                         |

**NOTE:**

- PDA applies to Subgroup 1 only.

## Die Characteristics

### DIE DIMENSIONS:

98.4 x 67.3 x 19 mils  $\pm$  1 mils  
 2500 x 1710 x 483 $\mu$ m  $\pm$  25.4 $\mu$ m

### METALLIZATION:

Type: Al, 1% Cu  
 Thickness: 16k $\text{\AA}$   $\pm$  2k $\text{\AA}$

### GLASSIVATION:

Type: Nitride (Si<sub>3</sub>N<sub>4</sub>) over Silox (SiO<sub>2</sub>, 5% Phos.)  
 Silox Thickness: 12k $\text{\AA}$   $\pm$  2k $\text{\AA}$   
 Nitride Thickness: 3.5k $\text{\AA}$   $\pm$  1.5k $\text{\AA}$

### WORST CASE CURRENT DENSITY:

1.43 x 10<sup>5</sup>A/cm<sup>2</sup> at 10mA

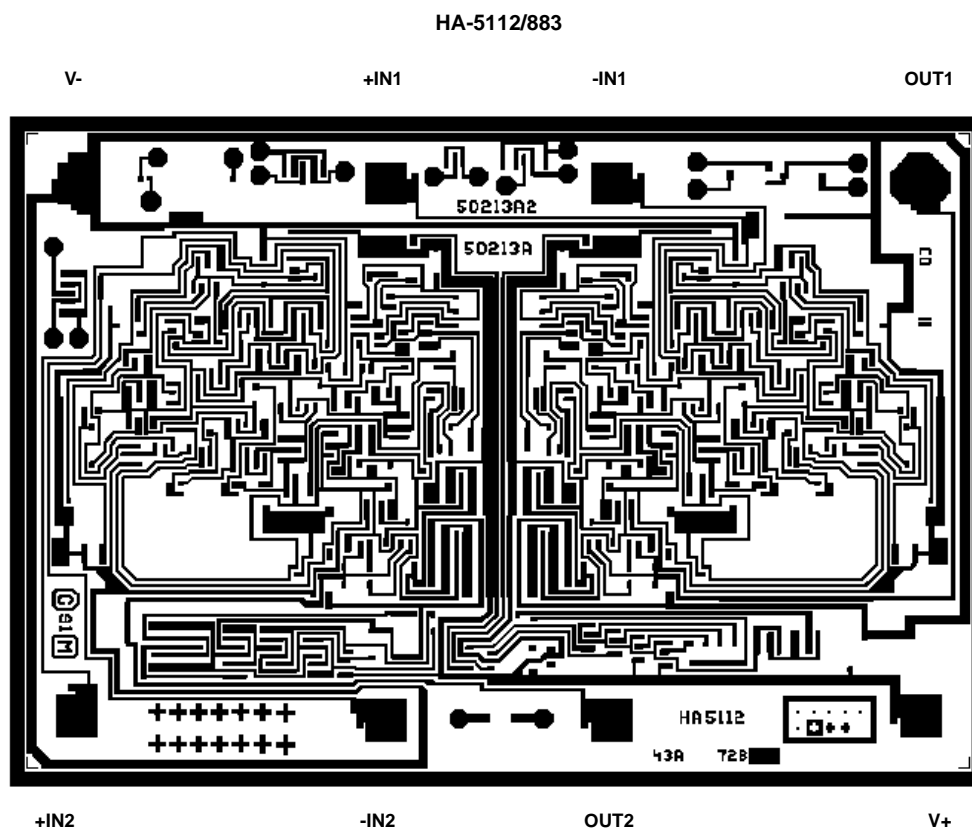
### SUBSTRATE POTENTIAL (Powered Up):

Unbiased

### TRANSISTOR COUNT: 93

### PROCESS: Bipolar Dielectric Isolation

## Metallization Mask Layout



All Intersil semiconductor products are manufactured, assembled and tested under **ISO9000** quality systems certification.

*Intersil products are sold by description only. Intersil Corporation reserves the right to make changes in circuit design and/or specifications at any time without notice. Accordingly, the reader is cautioned to verify that data sheets are current before placing orders. Information furnished by Intersil is believed to be accurate and reliable. However, no responsibility is assumed by Intersil or its subsidiaries for its use; nor for any infringements of patents or other rights of third parties which may result from its use. No license is granted by implication or otherwise under any patent or patent rights of Intersil or its subsidiaries.*

For information regarding Intersil Corporation and its products, see web site <http://www.intersil.com>